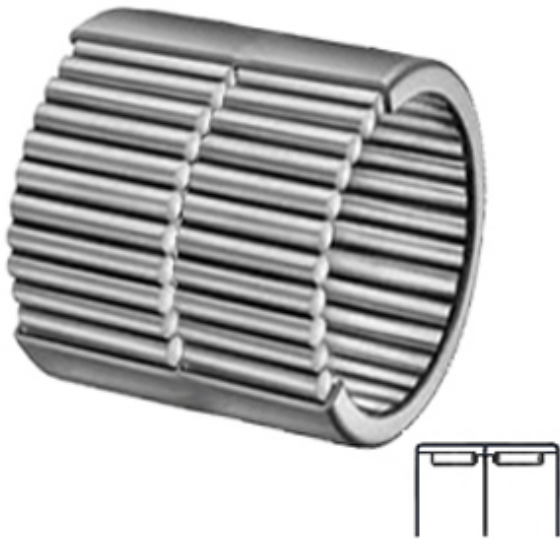




# NTN Bearing Driveshaft do Brasil



GR 104 N Bearing 2D drawings and 3D CAD models

6.5 Inch | 165.1 Millimeter x 8 Inch | 203.2 Millimeter x 2.5 Inch | 63.5 Millimeter MCGILL  
GR 104 N Needle Non Thrust Roller Bearings

Bearing No. GR 104 N

Category	Needle Non Thrust Roller Bearings
Inventory	0.0
Manufacturer Name	REGAL BELOIT
Minimum Buy Quantity	N/A
Weight	4.39
EAN	0726166063702
Product Group	B04144
Rolling Element	Needle Roller Bearing
Component	Roller Assembly with Outer Ring - No Inner Ring
Enclosure	Open
Self Aligning	No
Retainer	No
Number of Rows of Rollers	Double Row
Separable	No
Closed End	No
Inch - Metric	Inch
Relubricatable	Yes
Thrust Bearing	No
Long Description	6-1/2" Bore; 8" Outside Diameter; 2-1/2" Width; Needle Roller Bearing; Roller Assembly with Outer Ring - No Inner Ring; Open Enclosure; No Self Aligning; No Retainer; Double Row



## NTN Bearing Driveshaft do Brasil

	of Roll
Other Features	1 Rib Outer Ring   Full Complement   Heavy Duty   Narrow Width   Oil Hole
Category	Needle Non Thrust Roller Bearing
UNSPSC	31171512
Harmonized Tariff Code	8482.40.00.00
Noun	Bearing
Keyword String	Needle
Manufacturer URL	<a href="http://www.emerson-ept.com">http://www.emerson-ept.com</a>
Manufacturer Item Number	GR-104-N
Manufacturer Internal Number	5010460000
Weight / LBS	9.67
B	2.5 Inch   63.5 Millimeter
D	8 Inch   203.2 Millimeter
d	6.5 Inch   165.1 Millimeter