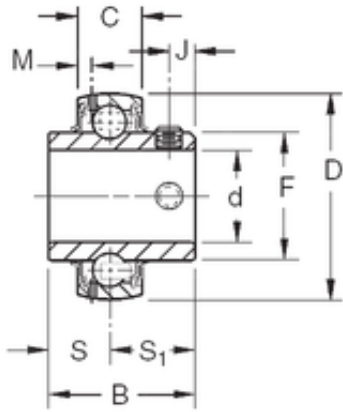




## NTN Bearing Driveshaft do Brasil

### 41,275 mm x 85 mm x 49,22 mm TIMKEN GY1110KRRB SGT Insert Bearings Spherical OD

Bearing No. GY1110KRRB SGT



GY1110KRRB SGT Bearing 2D drawings and 3D CAD models

Size	41.275x85x49.22 mm
Bore Diameter	41,275 mm
Outer Diameter	85 mm
Width	49,22 mm
d	41,275 mm
D	85 mm
B	49,22 mm
C	22 mm
S1	30,17 mm
F	57,92 mm
J	8 mm
M	4,55 mm
S	19,05 mm
Thread (G)	M8X1,25
Basic dynamic load rating (C)	36 kN